

YE3韩国市场铸铁壳三相异步电动机

YE3 SERIES CAST IRON THREE PHASE INDUCTION MOTOR FOR SOUTH KOREAN MARKET

IE3-60HZ



产品简介

该系列电动机是专门为韩国市场设计三相异步电动机，拥有KC产品安全认证，适用于水泵、风机、空压机、减速机、真空泵等产品的配套使用，可广泛应用于工业、商业、建筑业、楼宇给水和农业灌溉等众多领域。

产品特点

- 功率范围：11-315kW
- 机座号：160-355
- 能效等级：IE3
- 电压：支持多种电压
- 频率：60Hz
- 冷却方式：IC411
- 防护等级：IP55
- 绝缘等级：F
- 环境温度：-15~40℃
- 海拔高度：不超过1000m

产品优势

- 结构紧凑
- 外形美观
- 低噪音
- 起动转矩大
- 高效节能
- 安装便捷，维护方便
- 可靠耐用

PRODUCT INTRODUCTION

This series of motor is especially designed for South Korean Market. It has "KC" Korea certification. It could be applied as a drive of pump, blower, air compressor, gear reducer, and vacuum pump, etc. that can be widely used in the variety of fields, such as industry, commerce, construction, water supply and agricultural irrigation, etc.

PRODUCT FEATURES

- Output: 11-315kW
- Frame size: 160-355
- Efficiency: IE3
- Voltage: multi-voltage available
- Frequency: 60Hz
- Cooling method: IC411
- Protection grade: IP55
- Insulation class: F
- Ambient temperature: -15~40℃
- Altitude: not exceeding 1000m

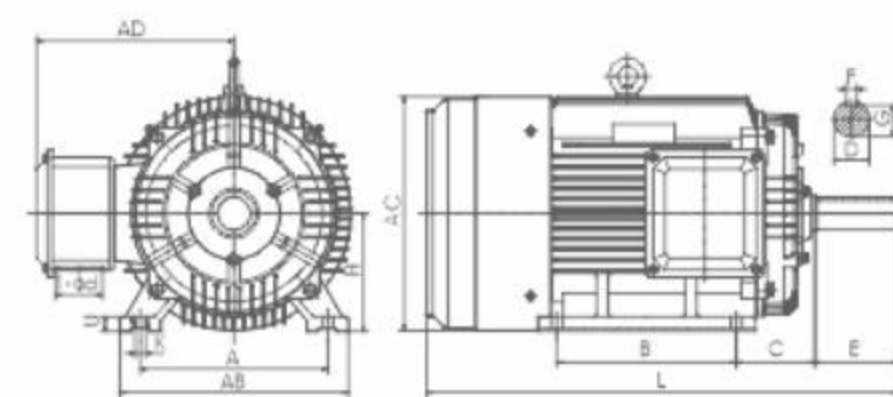
PRODUCT ADVANTAGE

- Compact structure design
- Attractive appearance
- Low noise
- High starting torque
- High efficiency and energy saving
- Easy installation and maintenance
- Reliable and durable

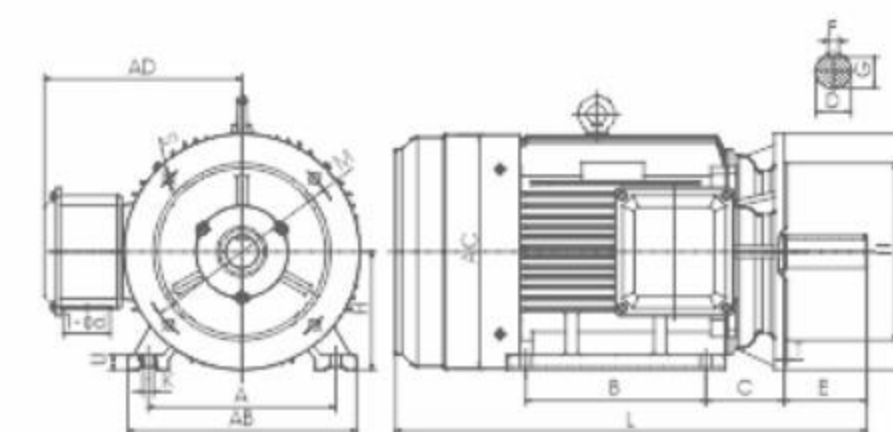


www.ablecn.com

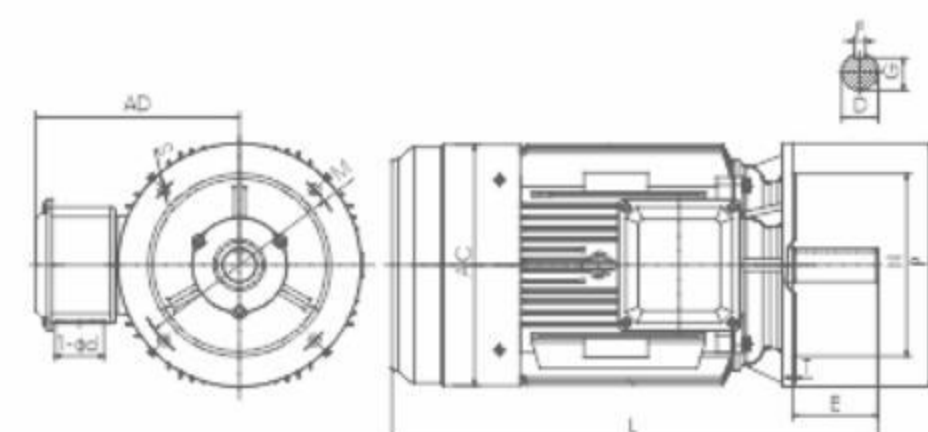
IMB3



IMB35



IMB5



IE3-60Hz 韩国市场外形及安装尺寸 INSTALLATION AND OVERALL DIMENSIONS

机座号 Frame Size	输出功率 Output (kW)		安装尺寸 Mounting Dimensions (mm)														外形尺寸 Overall Dimensions (mm)					
	2P	4P	A	B	C	D	E	F	G	H	K	U	N	T	M	P	S	d	AB	AC	AD	L
160M	11/15	11	254	210	108	42k6	110	12	37	160	4-φ14.5	20	250	5	300	350	4-φ18.5	45	314	314	287	610
160L	18.5	15	254	254	108	42k6	110	12	37	160	4-φ14.5	20	250	5	300	350	4-φ18.5	45	314	314	287	654
180M	22	18.5	279	241	121	48k6	110	14	42.5	180	4-φ14.5	22	250	5	300	350	4-φ18.5	45	349	354	306	686
180L		22	279	279	121	48k6	110	14	42.5	180	4-φ14.5	22	250	5	300	350	4-φ18.5	45	349	354	306	724
180L	--	30	279	279	121	55m6	110	14	42.5	180	4-φ14.5	22	250	5	300	350	4-φ18.5	45	349	354	306	724
200L	30/37/45	-	318	305	133	55m6	110	16	49	200	4-φ18.5	25	300	5	350	400	4-φ18.5	80	388	396	335	769
200L	-	30/37/45	318	305	133	60m6	140	18	53	200	4-φ18.5	25	300	5	350	400	4-φ18.5	80	388	396	335	799
225S	--	37	356	286	149	65m6	140	18	58	225	6-φ18.5	28	350	5	400	450	8-φ18.5	80	431	445	356	823
225M	45/55	-	356	286/311	149	55m6	110	16	49	225	6-φ18.5	28	350	5	400	450	8-φ18.5	80	431	445	356	818
225M	--	45/55	356	286/311	149	65m6	140	18	58	225	6-φ18.5	28	350	5	400	450	8-φ18.5	80	431	445	356	848
250M	55/75/90	-	406	311/349	168	55m6	110	16	49	250	6-φ24	30	450	5	500	550	8-φ18.5	80	484	484	381	879
250M	-	55/75/90	406	311/349	168	75m6	140	20	67.5	250	6-φ24	30	450	5	500	550	8-φ18.5	80	484	484	381	909
280S	75	-	457	368	190	55m6	110	16	49	280	6-φ24	35	450	5	500	550	8-φ18.5	80	542	546	408	949
280S	--	75	457	368	190	85m6	170	22	76	280	6-φ24	35	450	5	500	550	8-φ18.5	80	542	546	408	1009
280M	90/110/132	-	457	368/419	190	75m6	110	16	49	280	6-φ24	35	450	5	500	550	8-φ18.5	80	542	546	408	1000
280M	-	90/110/132	457	368/419	190	95m6	170	22	76	280	6-φ24	35	450	5	500	550	8-φ18.5	80	542	546	408	1060
315S	110	-	508	406	216	75m6	140	20	67.5	315	6-φ28	45	550	6	600	660	8-φ24	80	628	620	521	1193
315S	-	110	508	406	216	95m6	170	25	86	315	6-φ28	45	550	6	600	660	8-φ24	80	628	620	521	1223
315M	132	-	508	457/508	216	75m6	140	20	67.5	315	6-φ28	45	550	6	600	660	8-φ24	80	628	620	521	1303
315M	--	132	508	457/508	216	95m6	170	25	86	315	6-φ28	45	550	6	600	660	8-φ24	80	628	620	521	1333
315L	160/200	-	508	457/508	216	75m6	140	20	67.5	315	6-φ28	45	550	6	600	660	8-φ24	80	628	620	521	1303
315L	--	160/220	508	457/508	216	95m6	170	25	86	315	6-φ28	45	550	6	600	660	8-φ24	80	628	620	521	1333
355ML	250/315	-	610	560/630	254	75m6	140	20	67.5	355	6-φ28	52	680	6	740	800	8-φ24	-	726	701	-	1509
355ML	--	250/315	610	560/630	254	95m6	170	25	86	355	6-φ28	52	680	6	740	800	8-φ24	-	726	701	-	1539

YE3韩国市场铸铁壳三相异步电动机

YE3 SERIES CAST IRON THREE PHASE INDUCTION MOTOR FOR SOUTH KOREAN MARKET



技术参数 TECHNICAL DATA

IE3

型号 Model	额定功率 Rated Power		额定电流 Rated Current (A)			额定 转速 Speed r/min	效率 Eff. η(%)	功率 因数 PF cosφ	额定 转矩 Tn N.m	堵转转矩 额定转矩 Tst/Tn	最大转矩 额定转矩 Tmax/Tn	启动电流 额定电流 Ist/In	重量 N.G kg
	KW	HP	220V	380V	660V								
YE3-160M1-2	11	15	35.5	20.6	11.8	3528	91.3	0.89	29.8	2.4	4.1	9.1	122
YE3-160M2-2	15	20	48.3	28.0	16.1	3522	91.5	0.89	40.7	2.3	3.8	8.6	137
YE3-160L-2	18.5	25	59.2	34.3	19.7	3516	92.1	0.89	50.2	2.3	3.7	8.7	150
YE3-180M-2	22	30	70.4	40.7	23.5	3534	92.2	0.89	59.5	3.3	3.8	8.8	198
YE3-180L-2	30	40	95.7	55.4	31.9	3540	92.4	0.89	80.9	2.0	2.3	7.6	218
YE3-200L1-2	30	40	95.4	55.2	31.8	3540	92.7	0.89	80.9	2.6	3.5	8.5	244
YE3-200L2-2	37	50	117	67.6	38.9	3540	93.4	0.89	99.8	2.8	3.5	8.9	261
YE3-200L3-2	45	60	142	82.1	47.3	3564	93.6	0.89	121	3.2	3.6	9.5	272
YE3-225M-2	45	60	142	82.1	47.3	3564	93.6	0.89	121	2.7	3.6	9.1	324
YE3-225M2-2	55	75	173	100	57.8	3558	93.6	0.89	148	2.0	2.3	7.7	324
YE3-250M-2	55	75	173	100	57.8	3558	93.6	0.89	148	2.5	3.7	8.8	407
YE3-250M2-2	75	100	235	136	78.3	3564	94.1	0.89	201	2.8	3.2	9.0	435
YE3-250M3-2	90	125	279	162	93.1	3564	95.0	0.89	241	3.2	3.6	9.5	448
YE3-280S-2	75	100	235	136	78.3	3564	94.2	0.89	201	2.4	2.7	7.4	575
YE3-280M-2	90	125	279	162	93.1	3564	95.0	0.89	241	2.4	2.7	7.1	600
YE3-280M2-2	110	150	338	195	113	3570	95.0	0.90	294	2.6	3.2	7.9	600
YE3-280M3-2	132	180	403	234	134	3570	95.4	0.90	353	2.8	3.3	8.1	608
YE3-315S-2	110	150	337	195	112	3570	95.2	0.90	294	2.1	2.5	7.1	876
YE3-315M-2	132	180	403	234	134	3570	95.4	0.90	353	2.0	2.5	7.1	974
YE3-315L1-2	160	220	484	280	161	3570	95.4	0.91	428	1.9	2.5	7.2	1009
YE3-315L2-2	200	250	602	349	201	3570	95.8	0.91	535	2.0	2.6	7.2	1132
YE3-355M-2	250	340	753	436	251	3576	95.8	0.91	668	1.7	2.3	7.2	1643
YE3-355L-2	315	430	948	549	316	3576	95.8	0.91	841	1.7	2.3	7.2	1800

技术参数 TECHNICAL DATA

IE3

型号 Model	额定功率 Rated Power		额定电流 Rated Current (A)			额定 转速 Speed r/min	效率 Eff. η(%)	功率 因数 PF cosφ	额定 转矩 Tn N.m	堵转转矩 额定转矩 Tst/Tn	最大转矩 额定转矩 Tmax/Tn	启动电流 额定电流 Ist/In	重量 N.G kg
	KW	HP	220V	380V	660V								
YE3-160M-4	11	15	36.8	21.3	12.3	1752	92.4	0.85	60.0	2.4	2.6	7.6	124
YE3-160L-4	15	20	49.2	28.5	16.4	1752	93.0	0.86	81.8	3.1	3.1	9.2	145
YE3-180M-4	18.5	25	60.3	34.9	20.1	1758	93.6	0.86	100	3.0	3.7	9.6	182
YE3-180L-4	22	30	71.5	41.4	23.8	1758	93.9	0.86	120	2.9	3.6	9.0	209
YE3-180L2-4	30	40	97.3	56.3	32.4	1770	94.1	0.86	162	3.3	3.8	9.6	209
YE3-200L-4	30	40	97.3	56.3	32.4	1770	94.1	0.86	162	2.6	3.0	9.6	280
YE3-200L2-4	37	50	119	69.2	39.8	1776	94.5	0.86	199	2.8	3.2	8.4	289
YE3-200L3-4	45	60	145	83.7	48.2	1776	95.0	0.86	242	2.9	3.3	8.7	289
YE3-225S-4	37	50	119	69.2	39.8	1776	94.5	0.86	199	3.5	3.3	9.7	308
YE3-225M-4	45	60	145	83.7	48.2	1776	95.0	0.86	242	3.6	3.2	9.6	308
YE3-225M2-4	55	75	176	102	58.6	1782	95.4	0.86	295	3.4	3.6	9.4	382
YE3-250M-4	55	75	176	102	58.6	1782	95.4	0.86	295	3.4	3.6	9.0	456
YE3-250M2-4	75	100	234	136	78.2	1776	95.4	0.88	403	3.4	3.8	9.7	492
YE3-250M3-4	90	125	281	163	93.8	1782	95.4	0.88	482	3.3	3.7	9.7	500
YE3-280S-4	75	100	234	135	78.0	1776	95.6	0.88	403	2.8	3.2	9.0	565
YE3-280M-4	90	125	281	163	93.7	1782	95.5	0.88	482	2.4	2.8	8.0	657
YE3-280M2-4	110	150	342	198	114	1776	95.8	0.88	591	3.2	3.6	9.6	701
YE3-280M3-4	132	180	411	238	137	1776	95.8	0.88	710	2.8	3.3	8.4	725
YE3-315S-4	110	150	342	198	114	1776	95.9	0.88	591	2.3	2.7	8.2	876
YE3-315M-4	132	180	409	237	136	1776	96.2	0.88	710	2.3	2.8	8.1	994
YE3-315L1-4	160	220	490	284	163	1776	96.2	0.89	860	2.3	2.7	7.8	1088
YE3-315L2-4	200	250	612	355	204	1776	96.3	0.89	1075	2.1	2.5	7.3	1238
YE3-355M-4	250	340	758	439	253	1788	96.2	0.90	1335	2.0	2.3	6.4	1719
YE3-355L-4	315	430	954	552	318	1788	96.3	0.90	1682	2.3	2.5	7.5	1823